

Soft starters for asynchronous motors

Altistart 01



ATS 01N103FT



ATS 01N212QN



ATS 01N230LY

Soft starters for 0.37 to 11 kW motors

Motor						Starter		
Motor power (1)						Nominal current	Reference (2)	Weight
Single phase 3-phase								
230 V	210 V	230 V	230 V	400 V	460 V	A		kg
kW	HP	kW	HP	kW	HP			
Single phase 110...230 V or 3-phase 110...480 V supply voltage, 50/60 Hz								
0.37	–	0.37	0.5	1.1	0.5	3	ATS 01N103FT	0.160
	–	0.55	–	–	1.5			
0.75	0.5	0.75	1	2.2	2	6	ATS 01N106FT	0.160
	–	1.1	1.5	3	3			
1.1	1	1.5	2	4	5	9	ATS 01N109FT	0.280
1.5	1.5	2.2	3	5.5	7.5	12	ATS 01N112FT	0.280
2.2	2	3	5	7.5	10	25	ATS 01N125FT	0.350
	3	4	7.5	9	15			
		5.5		11				

Soft start/soft stop units for 0.75 to 15 kW motors (3)

Motor		Starter		
Motor power (1)		Nominal current	Reference (2)	Weight
kW	HP			
3-phase supply voltage: 200...240 V 50/60 Hz				
0.75/1.1	1/1.5	6	ATS 01N206LU	0.420
1.5	2	9	ATS 01N209LU	0.420
2.2/3	3/–	12	ATS 01N212LU	0.420
4/5.5	5/7.5	22	ATS 01N222LU	0.560
7.5	10	32	ATS 01N232LU	0.560
3-phase supply voltage: 380...415 V 50/60 Hz				
1.5/2.2/3	–	6	ATS 01N206QN	0.420
4	–	9	ATS 01N209QN	0.420
5.5	–	12	ATS 01N212QN	0.420
7.5/11	–	22	ATS 01N222QN	0.560
15	–	32	ATS 01N232QN	0.560
3-phase supply voltage: 440...480 V 50/60 Hz				
–	2/3	6	ATS 01N206RT	0.420
–	5	9	ATS 01N209RT	0.420
–	7.5	12	ATS 01N212RT	0.420
–	10/15	22	ATS 01N222RT	0.560
–	20	32	ATS 01N232RT	0.560

Soft start/soft stop units for 15 to 75 kW motors

Motor							Starter		
Motor power (1)							Nominal current	Reference (2)	Weight
230 V	230 V	400 V	400 V	460 V	575 V	690 V			
kW	HP	kW	HP	HP	HP	kW	A		kg
7.5	10	15	15	20	30	30	32	ATS 01N230LY	2.400
11	15	22	25	30	40	37	44	ATS 01N244LY	2.400
18.5	25	37	40	50	60	55	72	ATS 01N272LY	3.800
22	30	45	50	60	75	75	85	ATS 01N285LY	3.800
3-phase supply voltage: 400 V 50/60 Hz (3)									
Motor		Starter							
Motor power (1)		Nominal current	Reference (2)	Weight					
kW	HP								
22	25	44	ATS 01N244Q	2.400					
37	40	72	ATS 01N272Q	3.800					
45	50	85	ATS 01N285Q	3.800					

(1) Standard power ratings of motors, HP power ratings indicated according to standard UL 508.

(2) For thermal protection of the motor, please use a thermal circuit-breaker GV•ME, GV3 P or GV7 RE (see combinations pages 60545/2 and 60545/3).

(3) Control power supply built into the starter.

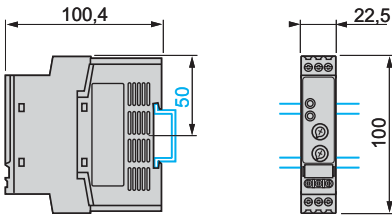
References (continued)

Accessories				
Description	Used for starter	Reference	Weight	kg
Plate for quick mounting on DIN rail	ATS 01N230LY, ATS 01N244●	VY1 H4101		–
Adaptor for mounting on C ₃ DZ5 MB rail	ATS 01N103FT, ATS 01N106FT	RHZ 66		0.005
Auxiliary contact, provides information that the motor is at full voltage	ATS 01N2●●●LY, ATS 01N2●●●Q	LAD 8N11		–

Dimensions

ATS 01N103FT, ATS 01N106FT

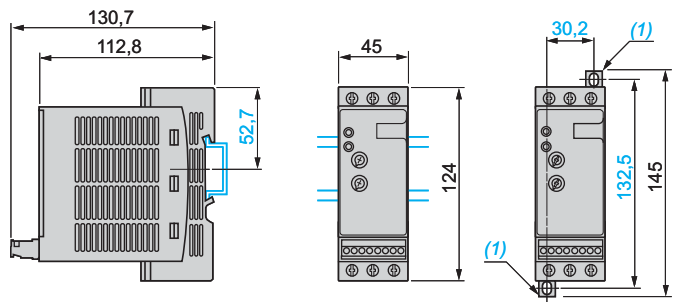
Mounting on C₃ (35 mm) rail or
C₃ rail with adaptor RHZ 66



ATS 01N109FT, ATS 01N112FT, ATS 01N125FT

Mounting on C₃ (35 mm) rail

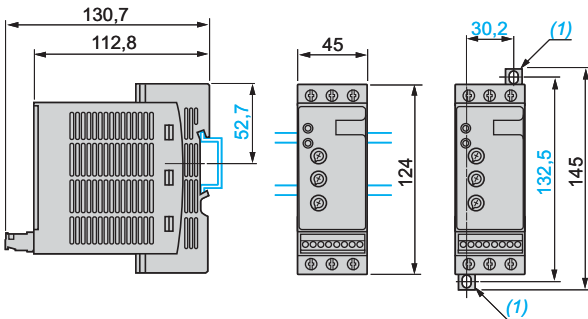
Screw fixing



ATS 01N206●● to ATS 01N212●●

Mounting on C₃ (35 mm) rail

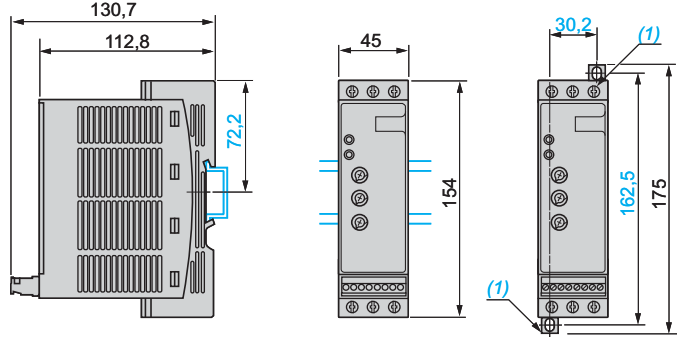
Screw fixing



ATS 01N222●● to ATS 01N232●●

Mounting on C₃ (35 mm) rail

Screw fixing



(1) Retractable fixings

(1) Retractable fixings

ATS 01N230LY, ATS 01N244LY, ATS 01N244Q

Quick mounting on C₃ rail (35 or 70 mm) using plate VY1 H4101 (1)

ATS 01N272LY, ATS 01N285LY, ATS 01N272Q, ATS 01N285Q

